



# 1696-2B COUPLING

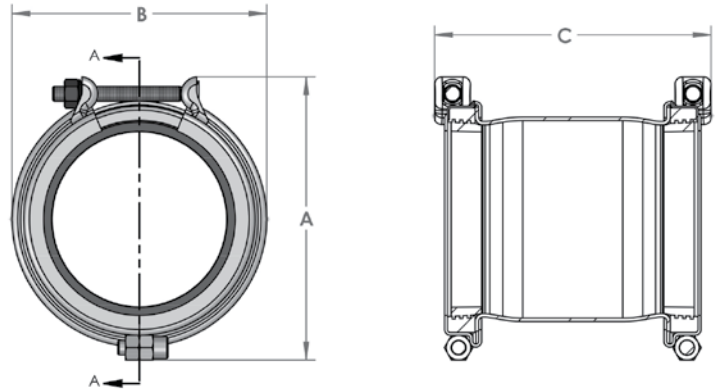


## APPLICATIONS

The **NEW ALL STAINLESS STEEL ROBAR** two bolt coupling can be used to couple dissimilar pipe diameters in the same nominal size group. The coupling is a stab-fit design allowing for the use on IPS/HDPE, DI/PVC and AC pipe without disassembling the coupling. Completely fabricated from stainless steel material minimizing corrosion attacking the coupling.

## MATERIAL SPECIFICATIONS

<b>Center Barrel:</b>	T-304 Stainless Steel
<b>End Rings:</b>	T-304 Stainless Steel
<b>Gaskets:</b>	Nitrile (NBR) Rubber
<b>Fasteners:</b>	5/8" T-304 Stainless Steel Torque is 80 ft. lbs.
<b>PSI Rating:</b>	4" through 8" – 305psi 10" & 12" – 200psi



NOMINAL SIZE	OVERALL RANGE	INNER GASKET RANGE	OUTER GASKET RANGE	A	B	C	WEIGHT LBS.
4	4.46 - 5.63	4.46 - 5.03	4.97 - 5.63	9.55	8.90	11.70	17
6	6.56 - 7.63	6.56 - 7.13	7.07 - 7.63	11.95	10.80	11.70	21
8	8.54 - 9.84	8.54 - 9.17	9.13 - 9.84	14.20	12.95	11.70	25
10	10.70 - 11.90	10.70 - 11.30	11.25 - 11.90	16.75	15.50	11.00	41
10 OS	11.00 - 12.25	11.00 - 11.65	11.60 - 12.25	17.125	15.875	11.00	44
12	12.70 - 13.80	12.70 - 13.30	13.25 - 13.80	18.75	17.50	11.00	46
12 OS	13.15 - 14.40	13.15 - 13.80	13.75 - 14.40	19.00	18.00	11.00	51

Note: - Angular deflection up to 7 degrees  
- The use of a pipe insert is required when using on HDPE

All dimensions are in inches.



This product is tested and certified by WQA to NSF/ANSI standard 61

**CAUTION**  Couplings do not prevent pipe pullout. Suitable restraint should be used when required.

## ROBAR INDUSTRIES LTD.

www.robarindustries.com  
waterworks@robarindustries.com

Surrey, British Columbia  
Phone: 1-800-663-6553

Saint-Bruno, Quebec  
Phone: 1-800-315-9525