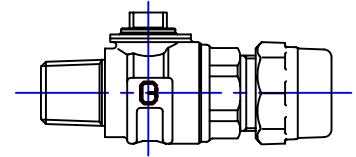


Cambridge Brass  
P.O. Box 249  
140 Orion Place  
Cambridge, Ontario  
Canada N1R 5V1  
Tel: (519) 621-5520  
Fax: (519) 621-8674  
http://www.cambridgebrass.com

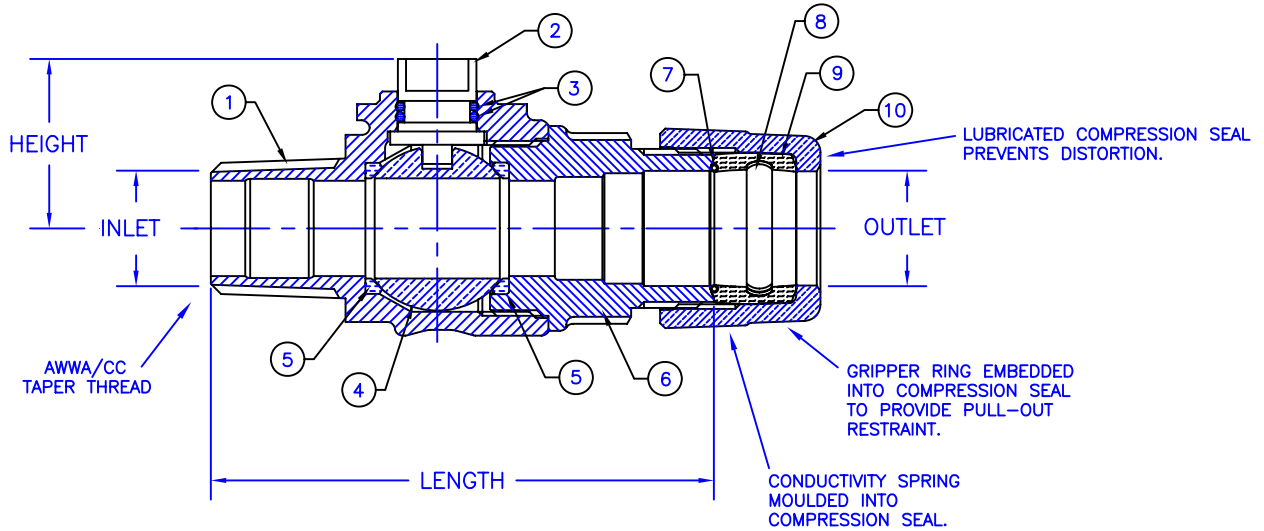


MODEL NO. 301

AWWA (CC) x CB COMPRESSION

CORPORATION MAIN STOP  
BALL STYLE

AWWA/CC TAPER THREAD INLET BY CB COMPRESSION FOR COPPER OR PLASTIC TUBING (CTS) OUTLET



- PARTS AND MATERIAL:**
1. VALVE BODY: CAST BRASS, ALLOY C83600
  2. STEM: STAINLESS STEEL, TYPE 303
  3. O-RING: NITRILE RUBBER
  4. BALL: CAST BRASS, ALLOY C89833
  5. SEATS: TEFLON
  6. ENDBODY: CAST BRASS, ALLOY C83600
  7. CONDUCTOR SPRING: BRASS
  8. GRIPPER: STAINLESS STEEL, TYPE 302
  9. COMPRESSION SEAL: NITRILE RUBBER
  10. TAILNUT: CAST BRASS, ALLOY C83600

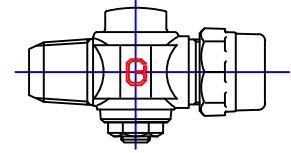
- FEATURES:**
- MANUFACTURED IN COMPLIANCE WITH AWWA STANDARD C800-05 (ASTM B-62 AND ASTM B-584, UNS NO C83600-85-5-5-5).
  - BLOWOUT PROOF DESIGN.
  - 300 PSI WORKING PRESSURE.
  - BODY PROVIDES LARGE, RUGGED FLATS FOR PROPER INSTALLATION.
  - FULL 360 DEGREE ROTATION.

Cambridge Brass considers the information in this submittal form to be correct at the time of publication. Item and option availability, including specifications, are subject to change without notice.

VALVE SIZE	CATALOG NO.	INLET AWWA/CC	OUTLET CB COMP.	LENGTH	HEIGHT	APPROX. WT. LBS.
5/8"	301-A2H2	5/8"	5/8"	3.92"	1.16"	1.5
3/4"	301-A3H3	3/4"	3/4"	4.05"	1.33"	1.8
1"	301-A4H4	1"	1"	4.59"	1.51"	2.8
1 1/4"	301-A5H5	1 1/4"	1 1/4"	6.37"	2.17"	8.2
1 1/2"	301-A6H6	1 1/2"	1 1/2"	6.49"	2.17"	7.5
1 1/2"	301-A6H7	1 1/2"	2"	6.53"	2.17"	8.2
2"	301-A7H7	2"	2"	6.78"	2.47"	10.6

Submitted by:

Cambridge Brass  
P.O. Box 249  
140 Orion Place  
Cambridge, Ontario  
Canada N1R 5V1  
Tel: (519) 621-5520  
Fax: (519) 621-8674  
http://www.cambridgebrass.com

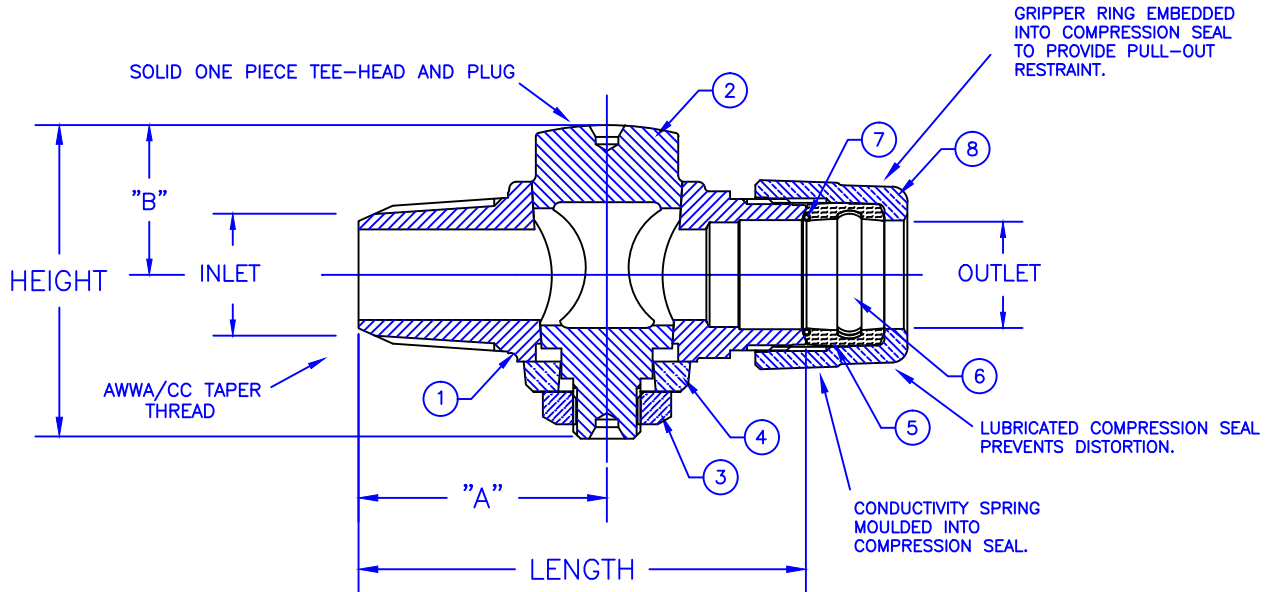


MODEL NO. 302

AWWA (CC) x CB COMPRESSION

CORPORATION MAIN STOP  
PLUG STYLE

AWWA/CC TAPER THREAD INLET x CB COMPRESSION  
FOR COPPER OR PLASTIC TUBING (CTS) OUTLET



**PARTS AND MATERIAL:**

1. VALVE BODY: CAST BRASS, ALLOY C83600
2. TAPERED PLUG: CAST BRASS, ALLOY C83600
3. STOP NUT: CAST BRASS, ALLOY C83600
4. WASHER: CAST BRASS, ALLOY C83600
5. COMPRESSION SEAL: NITRILE RUBBER
6. GRIPPER: STAINLESS STEEL, TYPE 302
7. CONDUCTIVITY SPRING: BRASS
8. TAILNUT: CAST BRASS, ALLOY C83600

**FEATURES:**

- MANUFACTURED IN COMPLIANCE WITH AWWA STANDARD C800-05 (ASTM B-62 AND ASTM B-584, UNS NO C83600-85-5-5-5).
- BODY PROVIDES LARGE, RUGGED WRENCH FLATS FOR PROPER INSTALLATION.
- 100 PSI WORKING PRESSURE.
- FULL 360 DEGREE ROTATION.

Cambridge Brass considers the information in this submittal form to be correct at the time of publication. Item and option availability, including specifications, are subject to change without notice.

VALVE SIZE	CATALOG NO.	INLET AWWA (CC)	OUTLET CB COMP.	HEIGHT	LENGTH	"A"	"B"	APPROX. WT. LBS.
3/4"	302-A3H3	3/4"	3/4"	2.54"	3.69"	2.06"	1.21"	1.7
3/4"	302-A3H4	3/4"	1"	2.54"	3.78"	2.06"	1.21"	2.2
1"	302-A4H4	1"	1"	2.75"	4.22"	2.41"	1.30"	2.9

Submitted by: